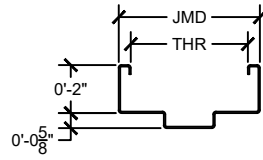


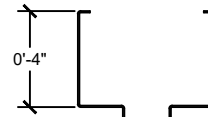
DRYWALL FRAME  
JAMB & HEAD PROFILE



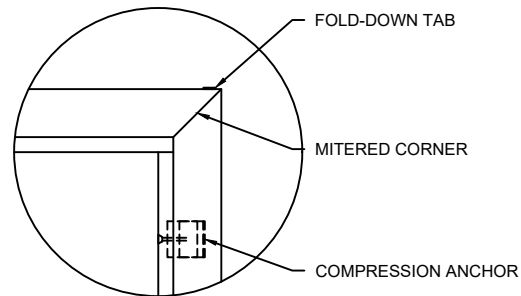
MASONRY FRAME  
JAMB & STANDARD  
HEAD PROFILE



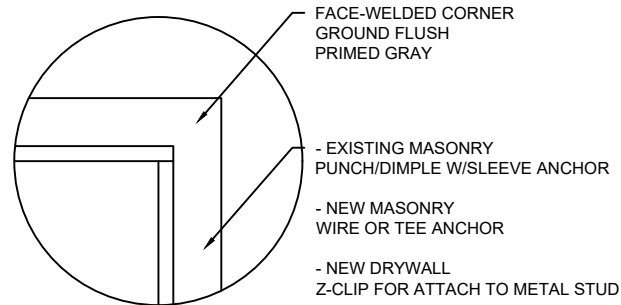
MASONRY FRAME  
4" HEAD PROFILE



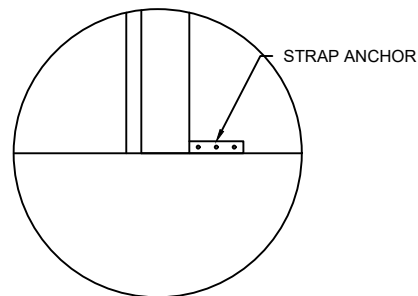
KNOCKDOWN FRAME CORNER DETAIL



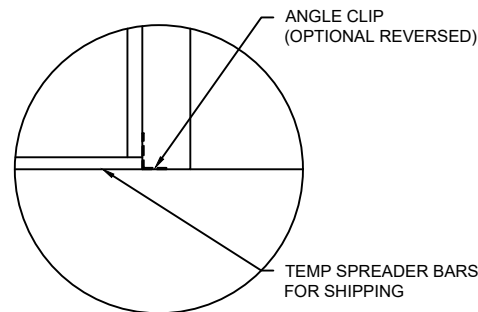
WELDED FRAME CORNER DETAIL



KNOCKDOWN FRAME BASE DETAIL



WELDED FRAME BASE DETAIL



ALL

FRAME MISC DETAILS

PROJECT NAME

DESCRIPTION

PROJECT #

00000

DATE

DWG #

FC-02